

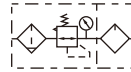
Preparation unit—GA Series

GAFC Series FR.L. combination

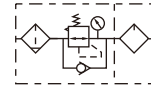


Symbol

No reflux valve is attached



Reflux valve is attached



Product feature

1. Quick and reliable mounting clamps makes it convenient to install and use.
2. The performance of pressure adjustment is reliable with high precision.
3. The efficiency of eliminating moisture and solid grain is high.
4. Two drain types are available: manual drain+semi-auto drain and automatic drain.
5. Three bowl materials are available: PC, Metal and Nylon.

Specification

Model	GAFC200-06	GAFC200-08	GAFC300-08	GAFC300-10	GAFC400-08	GAFC400-10	GAFC400-15	GAFC600-20	GAFC600-25	
Fluid	Air									
Port size [Note1]	1/8"	1/4"	1/4"	3/8"	1/4"	3/8"	1/2"	3/4"	1"	
Filtering grade	40 μm or 5 μm									
Pressure range	0.15~0.9MPa(20~130psi)									
Max. pressure	1.0MPa(145psi)									
Proof pressure	1.5MPa(215psi)									
Temperature range	-5~70°C(Unfreeze)									
Capacity of drain bowl	25CC		60CC		100CC			205CC		
Capacity of oil bowl	36CC		98CC		185CC			410CC		
Recommended lubricant	ISO VG 32 or equivalent									
Weight	590g		1020g		1810g			3430g		
Constitute	Filter & Regulator	GAFC200-06	GAFC200-08	GAFC300-08	GAFC300-10	GAFC400-08	GAFC400-10	GAFC400-15	GAFC600-20	GAFC600-25
	Lubricator	GAL200-06	GAL200-08	GAL300-08	GAL300-10	GAL400-08	GAL400-10	GAL400-15	GAL600-20	GAL600-25

[Note1] PT thread, G thread and NPT thread are available.

Ordering code

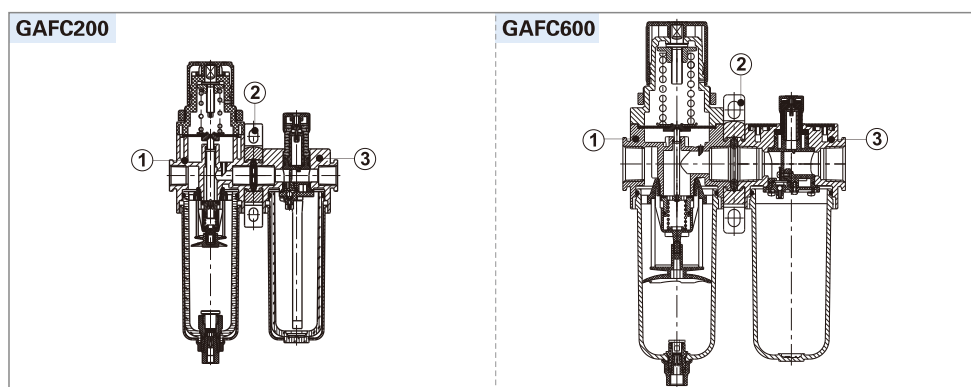
GAFC300 □ 10 □ S □ W G K



① Model	② Bowl material	③ Port size	④ Drain type	⑤ Type code	⑥ Pressure gauge	⑦ Filtering grade	⑧ Thread type	⑨ Code of reflux valve
GAFC200:GA200 Series FR.L unit	Blank: PC bowl	06: 1/8" 08: 1/4"	Blank: Semi-auto drain +Manual drain	Blank: Standard	Blank: Circular	Blank: 40 μm	Blank: PT (MPa/psi)	Blank: No reverse flow valve is attached
GAFC300:GA300 Series FR.L unit	C: Metal bowl	08: 1/4" 10: 3/8"						
GAFC400:GA400 Series FR.L unit	N: Nylon bowl	08: 1/4" 10: 3/8" 15: 1/2"	A: Automatic drain	L: Lower pressure [Note1]	N: No gauge	W: 5 μm	G: G (bar/MPa) T: NPT (psi/bar)	K: Reverse flow valve is attached [Note2]
GAFC600:GA600 Series FR.L unit	C: Metal bowl	20: 3/4" 25: 1"						

[Note1] The maximum work pressure of lower pressure type is 0.4MPa(58psi); [Note2] Please refer to page 179 for details of reflux valve.

Inner structure

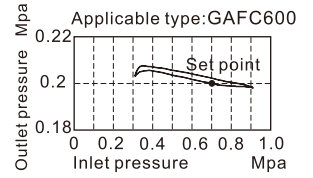
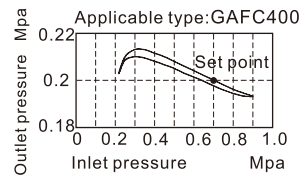
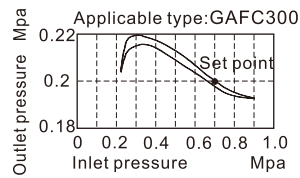
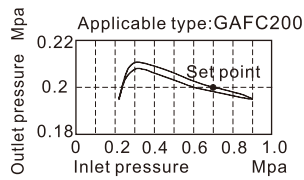


No.	Item
1	GA series filter & regulator
2	Bracket
3	GA series lubricator

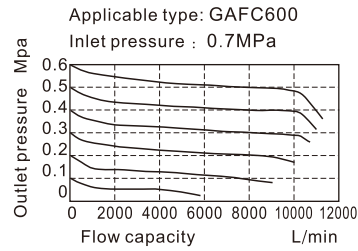
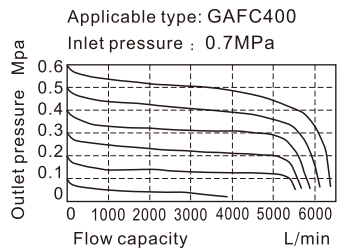
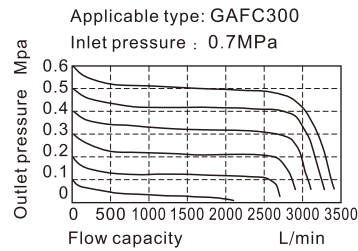
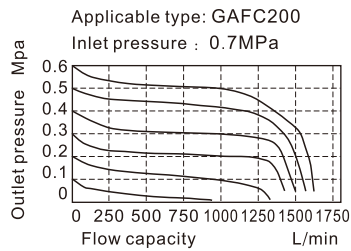
Preparation unit—GA Series

GAFC Series FR.L. combination

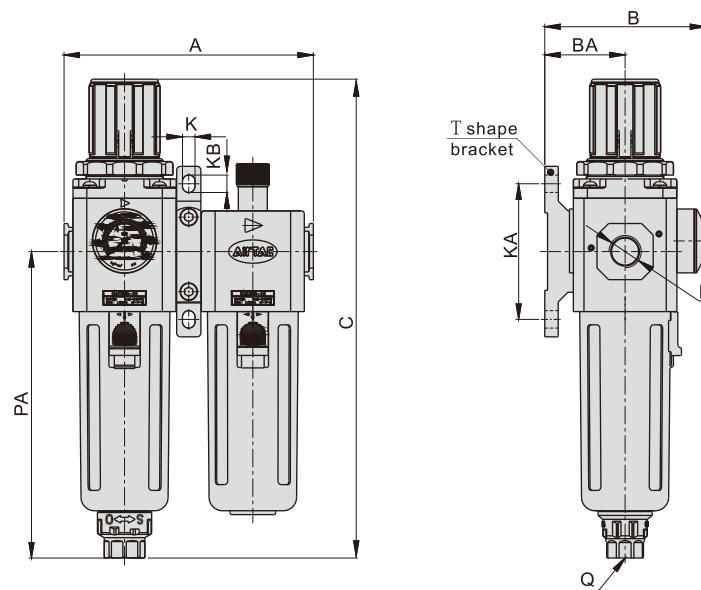
Pressure chart



Flow chart



Dimensions



Model\Item	A	B	BA	C	K	KA	KB	P	PA	Q
GAFC200-06	107.5	69	30	192.5	5.5	50	8.5	1/8"	120	M5X0.8
GAFC200-08	107.5	69	30	192.5	5.5	50	8.5	1/4"	120	M5X0.8
GAFC300-08	128.5	83	41.5	247	6.5	70	9	1/4"	158	G1/4
GAFC300-10	128.5	83	41.5	247	6.5	70	9	3/8"	158	G1/4
GAFC300-08	164	99	50	285.5	8.6	80	12	1/4"	177.5	G1/4
GAFC400-10	164	99	50	285.5	8.6	80	12	3/8"	177.5	G1/4
GAFC400-15	164	99	50	285.5	8.6	80	12	1/2"	177.5	G1/4
GAFC600-20	206	128	70	336.5	11	100	16	3/4"	205	G1/4
GAFC600-25	206	128	70	336.5	11	100	16	1"	205	G1/4