



ACCESSORIES FOR TIPPING VALVES

Series of control and indicator modules

DESCRIPTION

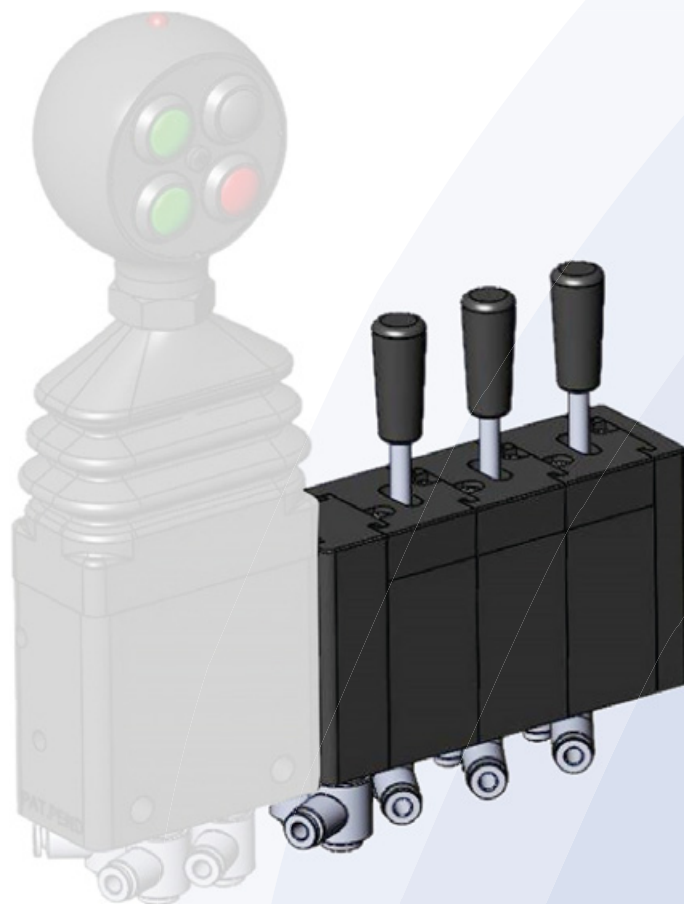
- Series of control and indicator modules by which it is easy to combine additional operations to 9421-75-302074 tipping valves
- Mechanical lever valves are used to operate for example tailgates, drawbar lifts and locks
- Led-modules for visual indication of positions of limit switches or cylinder sensors can be mounted next to the control valve

TECHNICAL SPECIFICATIONS

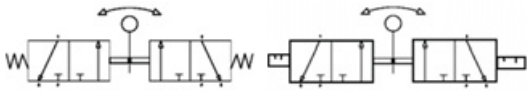
- Supply pressure range 2 ... 10 bar
- Ambient temperature -20 ... +80 °C
- Operating medium Compressed air, filtration 20 µm
- Nominal flow 5 dm³/s
- Connection port size Actuator M5, supply G1/8, exhaust G1/8

MATERIAL SPECIFICATION

- Body Anodized aluminium
- Cap POM SUSTARIN-C GLD 160
- Seals PU and NBR



TYPE CODES



9130-757-030044
Spring centered valve



9130-707-030200
Detent valve



9130-LED-030202
Led module

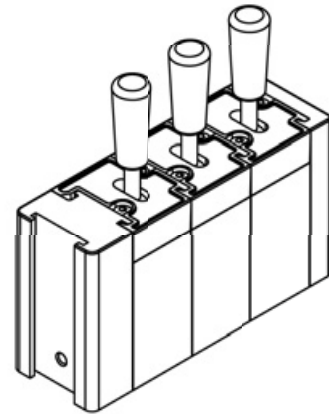
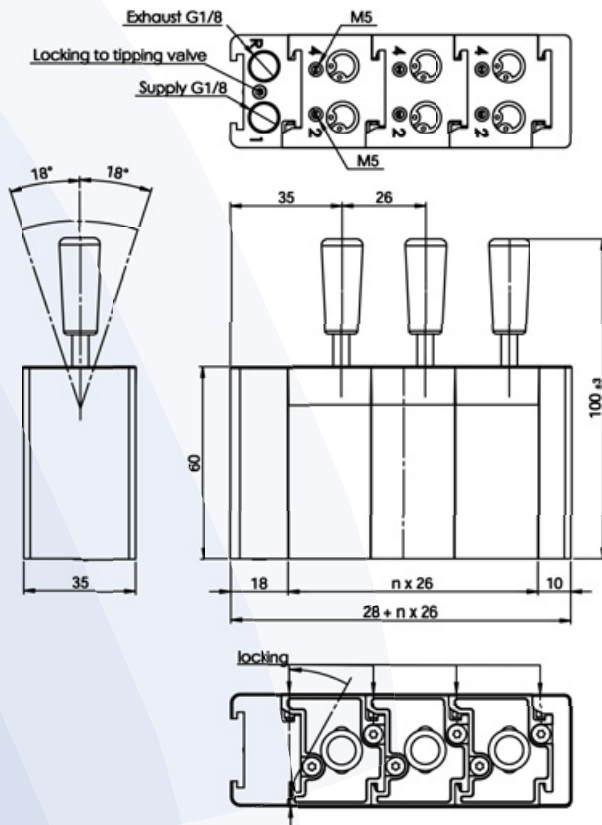


9130-SP-030126
Supply plate



9130-EP-030046
End plate

DIMENSIONS



Pimatic Oy | Klaavolantie 1, 32700 Huittinen, Finland
Tel. +358 (0)20 770 9501 | info@pimatic.fi
www.pimatic.fi