



PNEUMATIC TRIMMER CYLINDER

PIMATIC P2920 TRIMMER CYLINDER is designed for demanding sawmill trimmer applications, where speed, reliability and safety cannot be compromised. Applied new technology (patents pending) secures quick and easy installation, high speed and extended lifetime for all sawmill trimmers.



TECHNICAL SPECIFICATIONS

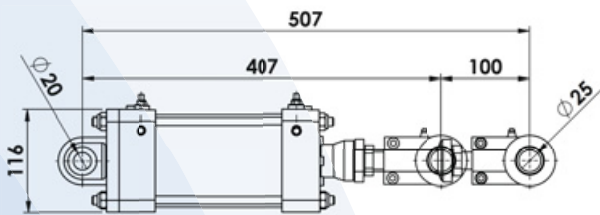
- Air pressure Max 10 bar, 40 microns filtered
- Temperature -20...+80 °C
- Stroke time
Typical for full stroke
with trimmer saw: Down - 110 ms
Up - 130 ms

MATERIAL SPECIFICATION

- Barrel and end caps Anodized aluminium
- Fixing points Stainless steel
- Sealings PTFE and NBR
- Shock absorption PU

DIMENSIONS

- Diameter Standard 100 mm (other on request)
- Stroke Standard 100 mm (other on request)
- Air connections G1/2"



3D models available on request.

OPTIONS

- Stroke, diameter and connection dimensions modified to be used in any old and new trimmer installations
- Complete delivery with specified piping's and control valves included

BENEFITS

Easy installation

Installation is fast and easy. No need for extensive speed and cushioning adjustments during start-up. New cushioning technology secures optimal performance in all situations without need to fine-tune and synchronize all trimmer cylinders in line.

High speed

Cylinder internal flow capacity has been maximized and frictions minimized so that maximum speed is achieved in all situations.

Extended lifetime

Compared to a standard pneumatic cylinder, number of wearing parts has been reduced ensuring reliable and stable operation over time.

Cost savings

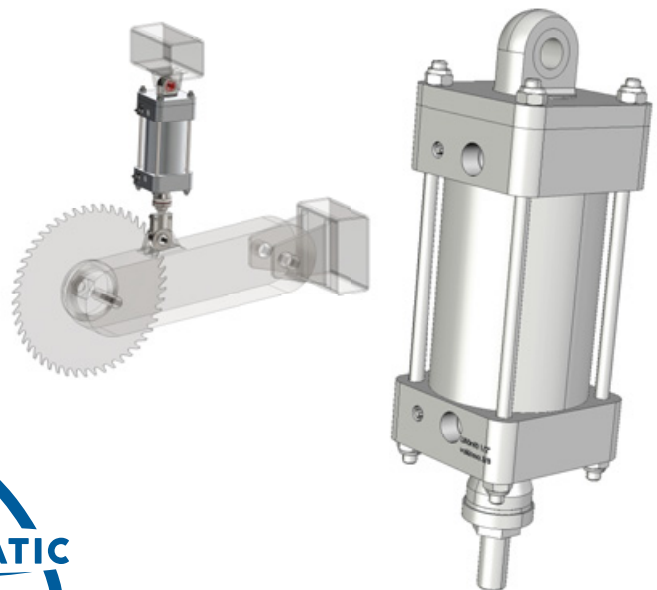
Reduced need for maintenance and extended lifetime of the cylinder secures low cost of ownership for sawmill operators.

Mechanical durability

Cylinder has built in shock absorption system which protects cylinder and trimmer from hazardous shocks.

Wood resin and sawdust resistant

New sealing technology in piston rod secures that reliable operation is maintained in sawmill environment where wood resin and sawdust are often present.



Pimatic Oy | Klaavolantie 1, 32700 Huittinen, Finland
Tel. +358 (0)20 770 9501 | info@pimatic.fi
www.pimatic.fi